

1) Ultrasonic transducer, 2) Process connection, 3) Display and control panel



Basic features

Application	Object detection
Approval/Conformity	cULus CE WEEE UKCA
Operating mode	Reflectionlight scanner (switching point) Refl.light scanner (window) Retro-reflector
Series	M30E2

Display/Operation

Adjuster	Key (2x)
Display	Distance value - segment display Output function- LED yellow LED green: Power Sensor settings - segment display
Setting	Teach-in mode display/button Sensitivity under pressure Operating mode Switching distance, 2 values Normally open/Normally closed Key disable on/off Factory setting (Reset) Hysteresis Measured value filter Analog output U//Auto/manual Synchronization on/off Temperature comp. on/off Sensor calibration Foreground suppression range Response delay 0 to 20 s Filter strength (10 levels) Segment displ. bright/dark/off

Electrical connection

Connection	M12x1-Male, 5-pin
Polarity reversal protected	yes
Short-circuit protection	yes

Ultrasonic Sensors
BUS M30E2-PWX-20/130-S92K-G1
Order Code: BUS005U



Electrical data

Current draw max.	80 mA
Hysteresis H max.	20 mm
Input function	Synchronization signal
Operating voltage U_b	9...30 VDC
Output current max.	200 mA
Rated operating voltage U_e DC	24 V
Switching frequency	5 Hz
Synchronization	internal, max. 10 sensors
Ultrasonic Frequency	180 kHz

Environmental conditions

Ambient temperature	-25...70 °C
IP rating	IP67
Storage temperature	-40...85 °C

Interface

Switching output	2x PNP normally open/normally closed (NO/NC)
------------------	--

Material

Housing material	1.4571 stainless steel
Material sensing surface	PBT, TPU
	PTFE

Mechanical data

Dimension	Ø 47 x 114.5 mm
Pressure rating max.	6 bar
Process connection	G 1"

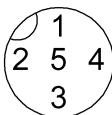
Range/Distance

Measuring range	200...5000 mm
Rated operating distance S_n	1300 mm
Repeat accuracy	± 0.15 %FS
Resolution	≤ 0.180 mm

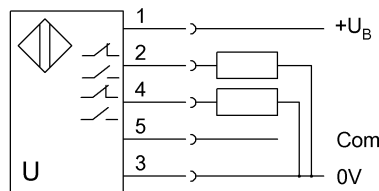
Remarks

Order accessories separately.
 Do not press key using a pointed tool.
 Reference object for S_n : tube Ø27mm. Max. range refers to the aligned plate.
 The sensor is functional again after the overload has been eliminated.
 For additional information, refer to user's guide.
 Sensor is chemically resistant
 Sensor suitable for pressure up to 6 bar

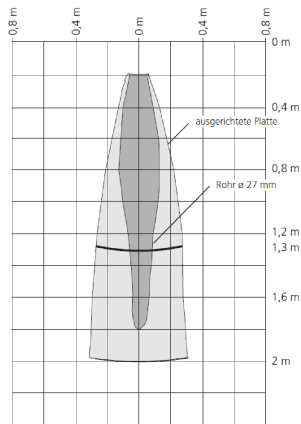
Connector Drawings



Wiring Diagrams



Technical Drawings



Help Views

